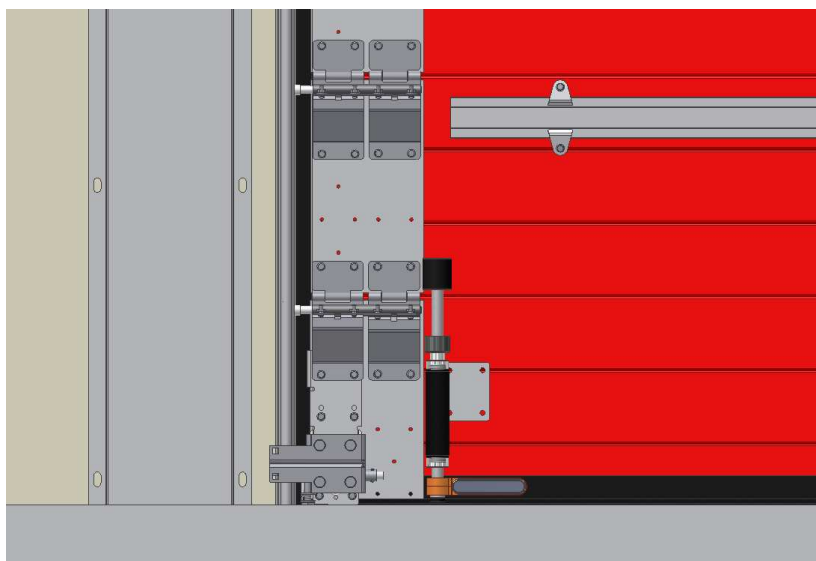
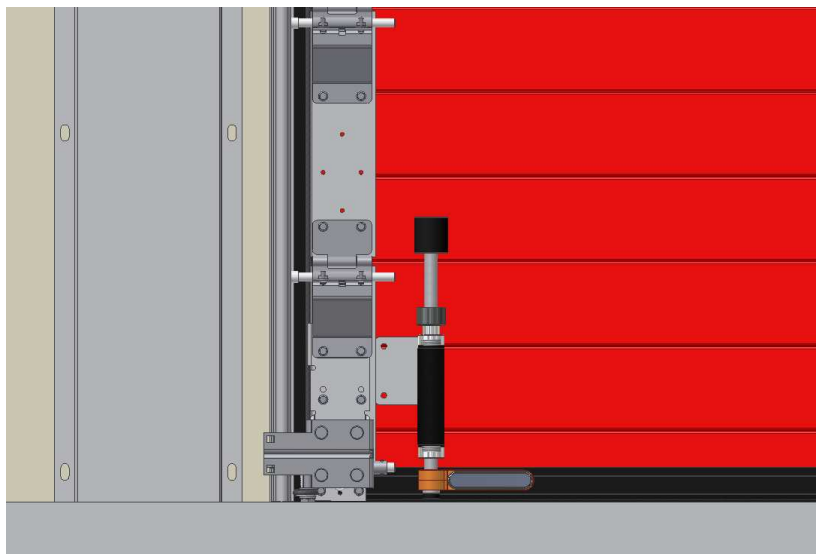


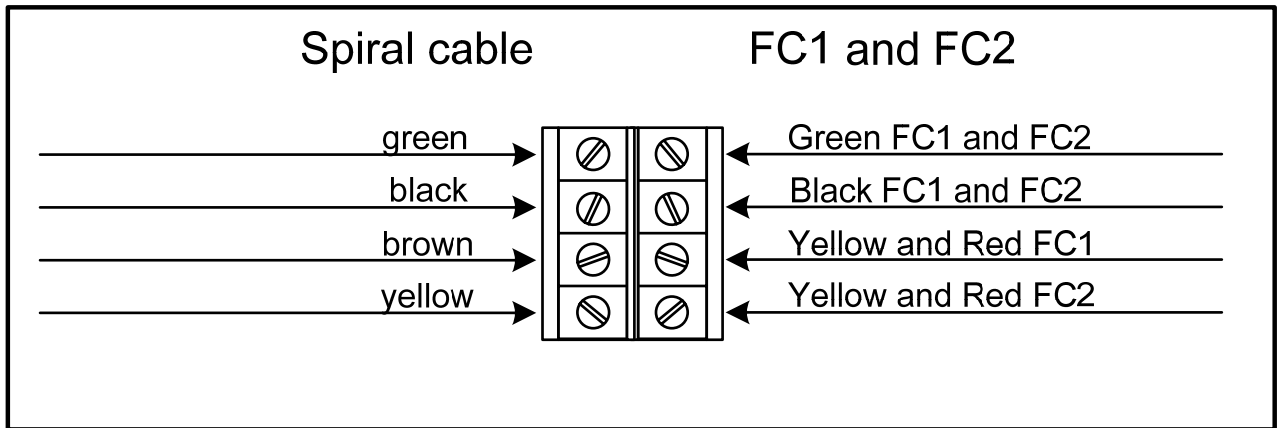
Placement of the safety devices

1) Place the 2 units of safety devices as the drawing below, depending on the door to install.

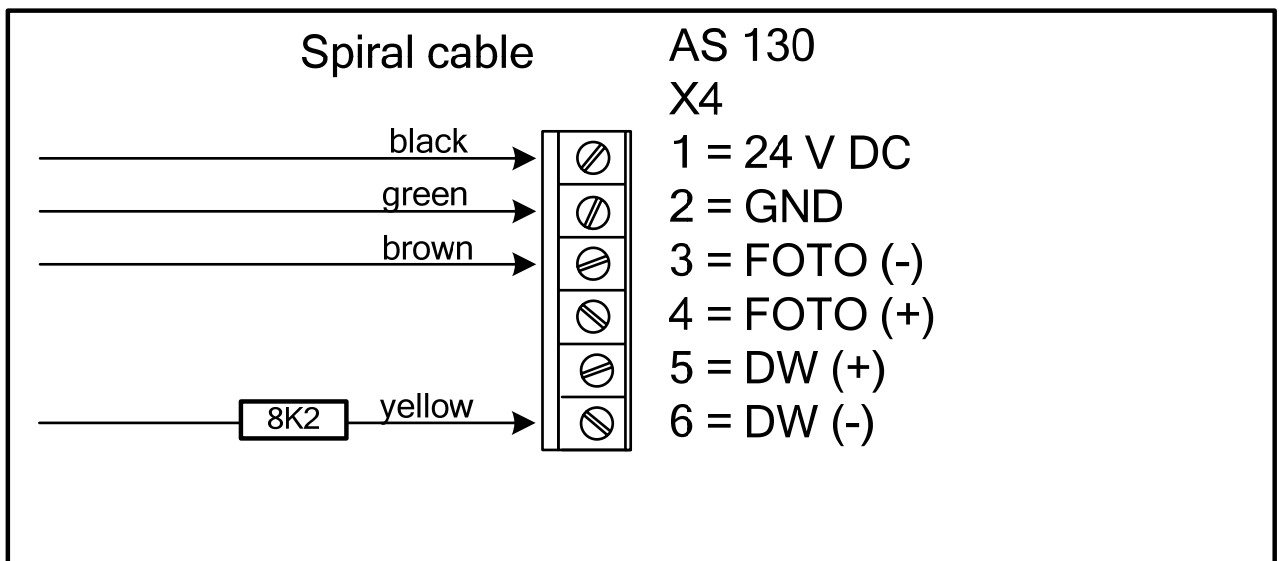


⚠ Be careful: you must obtain a perfect alignment of the 2 units on the frame

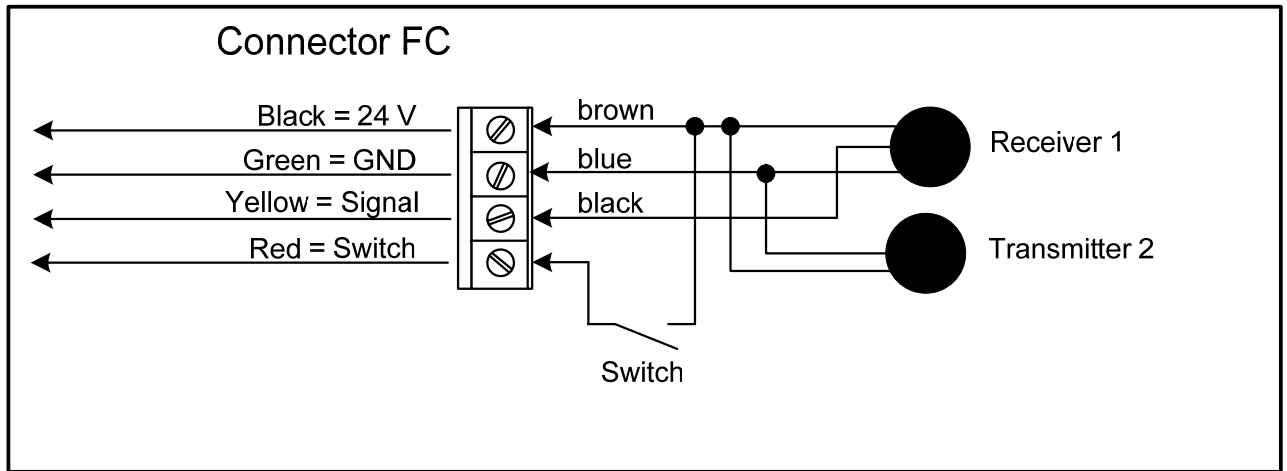
Connect the 2 cables of the 2 units
in the junction box as the drawing below.



Connect the spiral cable to the AS130
(the card ASO13 is required)



Internal connection of the FC



The switch closes if the FC starts to rotate!